



# NVIDIA DRIVE AGX Orin Developer Kit

## Hardware Quick Start Guide

# Table of Contents

<b>Introduction</b> .....	<b>1</b>
Before You Begin .....	1
<b>NVIDIA DRIVE AGX Orin Developer Kit Hardware</b> .....	<b>1</b>
Developer Kit Components .....	1
Developer System Connectors .....	3
AC Power Cable .....	4
Accessories .....	5
PCIe Mini-SAS .....	5
Vehicle Accessory Kit .....	5
Developer Kit Versions .....	6
<b>Getting Started</b> .....	<b>7</b>
<b>Changelog</b> .....	<b>8</b>

## List of Figures

Figure 1. NVIDIA DRIVE AGX Orin Developer Kit Components .....	2
Figure 2. Rear Panel Connectors .....	3
Figure 3. Power Connector and Cord .....	4

## List of Tables

Table 1. NVIDIA DRIVE AGX Orin Developer Kit Hardware List .....	1
Table 2. Additional Hardware Required .....	5
Table 3. PCIe Mini SAS Cables .....	5

---

# Introduction

## Before You Begin

This hardware quick start guide provides the basic steps needed to get your NVIDIA DRIVE AGX Orin™ Developer Kit (hereinafter referred to simply as developer kit) up and running.

The developer kit ships with the NVIDIA DRIVE AGX Orin Developer System (referred to hereinafter as the developer system) with the NVIDIA DRIVE® OS pre-installed.

For more details beyond the high-level view of the developer system and steps on how to bring it up, refer to the NVIDIA DRIVE AGX Orin Developer Kit Mechanical and Installation Guide along with other documentation located at the [NVIDIA DRIVE AGX Orin Documentation](#) page.

Other related up-to-date information is available as follows:

- ▶ [NVIDIA DRIVE AGX Orin Developer Kit Product Brief.](#)
- ▶ [Regulatory and compliance related documentation.](#)
- ▶ [A list of hardware accessories, which may be purchased separately.](#)
- ▶ [Details regarding configuration of your development environment.](#)

Developers are required to join as an [NVIDIA Developer](#) and be part of the [NVIDIA DRIVE AGX SDK Developer Program](#) to obtain access to up-to-date information.



Note: Files marked with a lock icon require membership to the NVIDIA DRIVE AGX™ SDK Developer Program.

---

# NVIDIA DRIVE AGX Orin Developer Kit Hardware

## Developer Kit Components

This section describes the developer kit hardware components.

Table 1 lists the hardware components and accessories associated with the developer kit and Figure 1 contains a pictorial description of the various developer kit components.

Table 1. NVIDIA DRIVE AGX Orin Developer Kit Hardware List

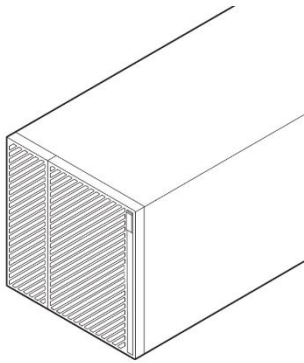
Item	Label	Description
1	Developer System	NVIDIA DRIVE AGX Orin Developer System
2	AC Power	Main AC Power Cable <small>(See Note)</small>
3	Micro USB	USB Type A to Micro USB Cable
4	Type A-to-C USB Cable	USB Type A to USB Type C Cable
5	Type C-to-C USB Cable	USB Type C to USB Type C Cable
6	Camera Splitter Cable	Quad GMSL FAKRA Camera Splitter Cable
7	Dual HMT-D Splitter	Dual HMT-D Splitter Cable
8	Quad HMT-D Splitter	Quad HMT-D Splitter Cable
9	NIC Adapter	1 GbE NIC Adapter

Note: The AC power cable is included in a select number of Developer Kit versions.

Figure 1. NVIDIA DRIVE AGX Orin Developer Kit Components



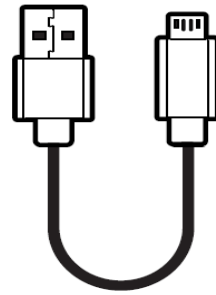
Disclaimer: The line-art images shown here are for illustration purposes only. Your Developer Kit accessories may differ due to product enhancements, modifications, and substitutions.



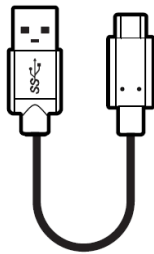
Developer System



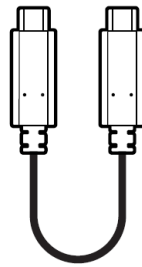
AC Power Cable



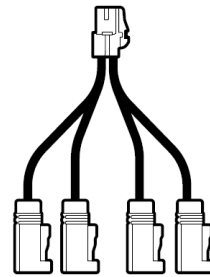
Micro USB Cable



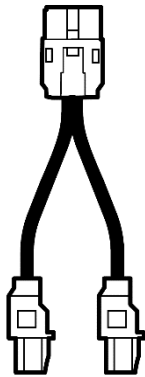
Type A-to-C USB Cable



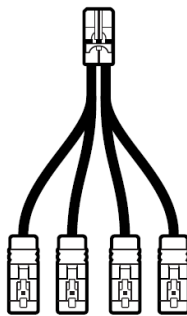
Type C-to-C USB Cable



Camera Splitter Cable



Dual HMT-D Splitter



Quad HMT-D Splitter

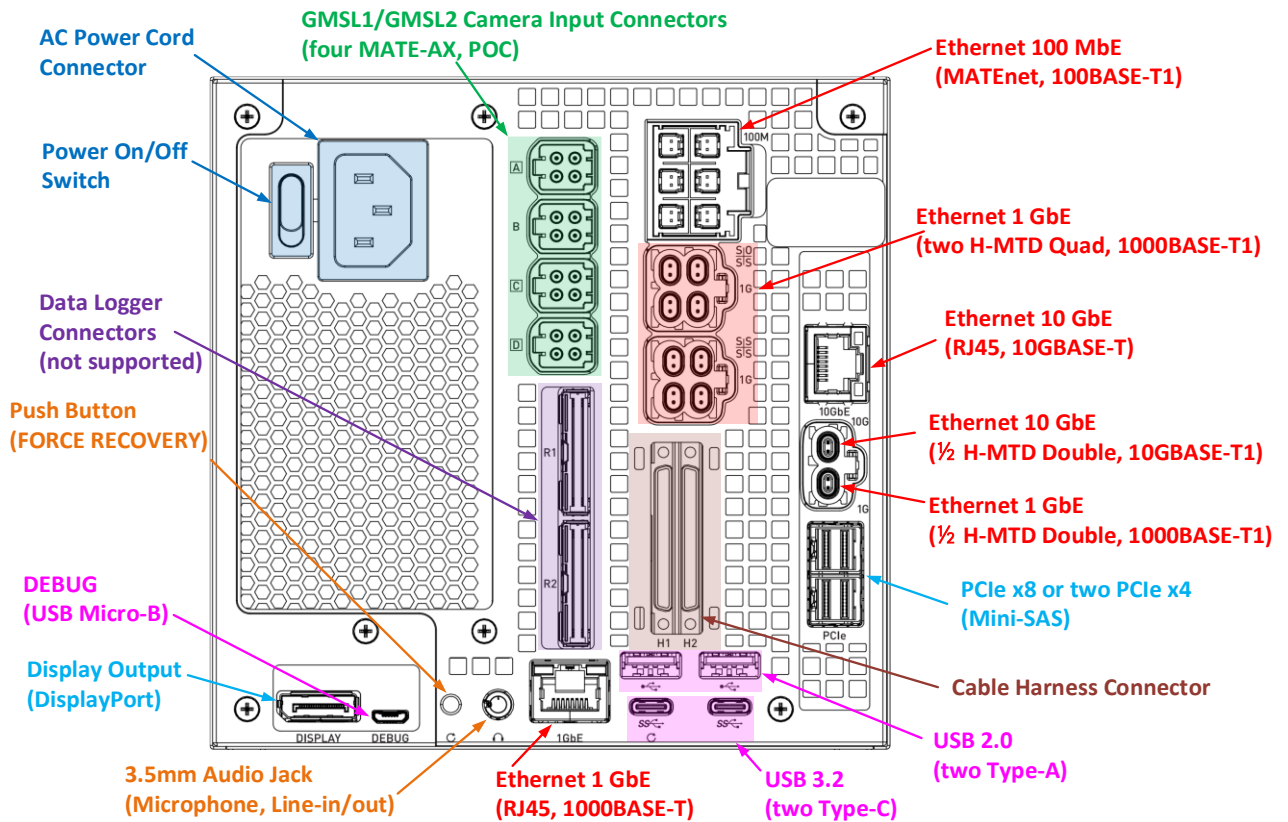


NIC Adapter

# Developer System Connectors

The figures in this section illustrate the broad range of connectors supported by the NVIDIA DRIVE AGX Orin developer system.

Figure 2. Rear Panel Connectors



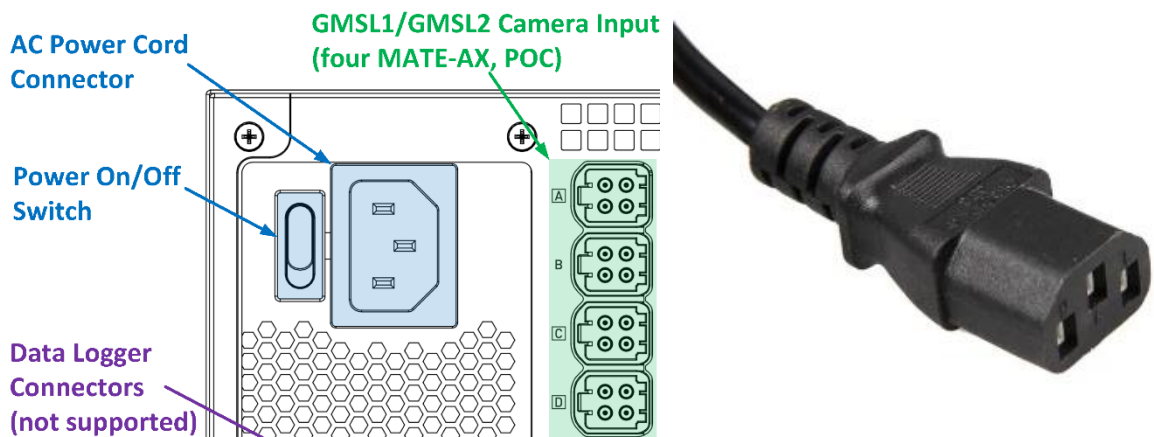
**CAUTION:** To prevent overheating, it is important to take airflow into consideration when mounting the Developer Kit. Make sure that there is enough clearance on all sides. Cool air intake must be provided on the front panel, which has the fan and hot air exhaust should be allowed to flow out from the rear panel. Refer to the [NVIDIA DRIVE AGX Orin Developer Kit Mechanical and Installation Guide](#) for details.

# AC Power Cable

The NVIDIA DRIVE AGX Orin Developer system accepts an IEC C13 connector for the power cable.

Note the location of the AC Power Cord connector in Figure 2 which shows the rear panel connectors. Figure 3 shows the zoomed-in location of the power connector on the rear panel and the IEC 60320 C13 power cord (on the right). The international rating of this connector is 250V/10A.

Figure 3. Power Connector and Cord



## Accessories

This section provides information on hardware components that are required for the development system as well as optional accessories which expand the usage of the development system.

Table 2 lists additional hardware components that are required for the development system.

Table 2. Additional Hardware Required

Item	Description
1	VESA® DisplayPort™ Display with DisplayPort Cable
2	Ubuntu Host PC for Cross-Compiling, Flashing, and Console Access
3	Ethernet Cable for Internet and Networking Access

## PCIe Mini-SAS

The NVIDIA DRIVE AGX Orin Developer Kit supports mini-SAS cables for the PCIe interfaces. Standard mini-SAS cables do not work with the developer kit.

Table 3 lists the cables from Amphenol which are compatible with the Orin Developer Kit.

Table 3. PCIe Mini SAS Cables

Description	Mfg P/N
CABLE Assy miniSAS-HD x4 GEN4 500MM Black Male 0° PCI Express to Male 0° PCI Express wire 100ohm UL VW-1	NEDDDF-N904
CABLE Assy miniSAS-HD x4 GEN4 1000MM Black Male 0° PCI Express to Male 0° PCI Express wire 100ohm UL VW-1	NEDDDF-N901
CABLE Assy miniSAS-HD x4 GEN4 3000MM Black Male 0° PCI Express to Male 0° PCI Express wire 100ohm UL VW-1	NEDDDF-N903

## Vehicle Accessory Kit

NVIDIA makes available, for separate purchase, an optional vehicle accessory kit to install the developer system in a vehicle.

The vehicle accessory kit consists of the following:

- ▶ Vehicle Harness H1A
- ▶ Vehicle Harness H2A
- ▶ Vehicle Mounting Tray

Please contact your NVIDIA representative for details on how to purchase the accessory kit.



## Developer Kit Versions

NVIDIA DRIVE AGX Orin Developer Kit is available in different versions:

- ▶ Production versions: -100, -200, -300, and
- ▶ Sample versions: -A00, -B00, -C00, and -D00.

Product certification information is available in the list of documentation located at: [NVIDIA DRIVE AGX Orin Documentation](#).

Certified Production Versions:

- ▶ 940-63710-0010-100 comes with no AC Power Cable.
- ▶ 940-63710-0010-200 comes with North America, Japan, Philippines, Taiwan, and China AC Power Cables.  
IEC plug types B and I are used in North America, Taiwan, Japan, Philippines, and China.
- ▶ 940-63710-0010-300 comes with most European Union, United Kingdom, South Korea, and Serbia AC Power Cables.  
IEC plug types F and G are used in most European regions, United Kingdom, and South Korea.

Sample Versions:

- ▶ 940-63710-0010-A00
- ▶ 940-63710-0010-B00
- ▶ 940-63710-0010-C00
- ▶ 940-63710-0010-D00

All sample versions come with a North America AC Power Cable.

---

# Getting Started

To use your NVIDIA DRIVE AGX Developer System for the first time, you will need the following:

- ▶ Main AC Power Cable
- ▶ USB Type-A to Micro-USB Cable
- ▶ USB Type-A to USB Type-C Cable OR USB Type-C to USB Type-C Cable
- ▶ Ethernet Cable (optional)
- ▶ DisplayPort Cable (optional)
- ▶ Ubuntu 18.04 or 20.04 Host PC

Use the following steps to get your Developer System up and running:

1. Connect the Main AC Power Cable to the Developer System, where applicable.
2. Connect the Micro-USB Cable from the Ubuntu Host PC to the **LEFT** Micro-USB port on the Developer System.
3. Connect the USB Type-A-to-USB Type-C Cable (or USB Type-C-to-USB Type-C Cable depending on your Host PC) from the Ubuntu Host PC to the **LEFT** USB Type-C port on the Developer System (for flashing). Do **NOT** connect the **RIGHT** USB Type-C port.
4. Connect a DisplayPort Monitor to the DisplayPort labeled "Display" (optional).
5. Connect an Ethernet Cable to the networking port labeled "1GbE" on the bottom/middle of the Developer System, next to the USB Type-C ports (optional).
6. Connect a Terminal Emulator from the Ubuntu Host PC to the Developer system (putty or minicom recommended) *before turning on power*, to complete the setup of the Developer System. Refer to the "[Terminal Emulation](#)" section in the DRIVE OS 6.0 Linux SDK Developer Guide for more information.
7. Press the Main Power Switch to the **ON** position.
8. Accept the End User License Agreement (EULA) and set up account username(s) and password(s) in the Terminal Emulator window that was opened in [Step 6](#).
9. Select the SSH Profile and other setup options.

After completing these prompts, the platform boots to the Ubuntu Desktop on the display and the UART console login prompt. To configure your development environment, visit the [NVIDIA DRIVE AGX Orin Setup](#) page for more detailed information.

# Changelog

DU-11049-001\_v03

Version	Date	Description of Change
01	August 25, 2022	Initial release
02	October 5, 2022	<ul style="list-style-type: none"><li>• Added Section: AC Power Cable</li><li>• Updated Section: Accessories; added subsections:<ul style="list-style-type: none"><li>&gt; PCIe Mini-SAS</li><li>&gt; Vehicle Accessory Kit</li></ul></li><li>• Updated country support for developer kit version 940-63710-0010-300.</li></ul>
03	November 30, 2022	<ul style="list-style-type: none"><li>• Added Product Brief to the list of reference documentation in Section: Before You Begin.</li><li>• Updated Step #6 in Section: Getting Started</li></ul>

## Notice

This document is provided for information purposes only and shall not be regarded as a warranty of a certain functionality, condition, or quality of a product. NVIDIA Corporation ("NVIDIA") makes no representations or warranties, expressed or implied, as to the accuracy or completeness of the information contained in this document and assumes no responsibility for any errors contained herein. NVIDIA shall have no liability for the consequences or use of such information or for any infringement of patents or other rights of third parties that may result from its use. This document is not a commitment to develop, release, or deliver any Material (defined below), code, or functionality.

NVIDIA reserves the right to make corrections, modifications, enhancements, improvements, and any other changes to this document, at any time without notice. Customer should obtain the latest relevant information before placing orders and should verify that such information is current and complete.

NVIDIA products are sold subject to the NVIDIA standard terms and conditions of sale supplied at the time of order acknowledgement, unless otherwise agreed in an individual sales agreement signed by authorized representatives of NVIDIA and customer ("Terms of Sale"). NVIDIA hereby expressly objects to applying any customer general terms and conditions with regards to the purchase of the NVIDIA product referenced in this document. No contractual obligations are formed either directly or indirectly by this document.

Unless specifically agreed to in writing by NVIDIA, NVIDIA products are not designed, authorized, or warranted to be suitable for use in medical, military, aircraft, space, or life support equipment, nor in applications where failure or malfunction of the NVIDIA product can reasonably be expected to result in personal injury, death, or property or environmental damage. NVIDIA accepts no liability for inclusion and/or use of NVIDIA products in such equipment or applications and therefore such inclusion and/or use is at customer's own risk.

NVIDIA makes no representation or warranty that products based on this document will be suitable for any specified use. Testing of all parameters of each product is not necessarily performed by NVIDIA. It is customer's sole responsibility to evaluate and determine the applicability of any information contained in this document, ensure the product is suitable and fit for the application planned by customer, and perform the necessary testing for the application in order to avoid a default of the application or the product. Weaknesses in customer's product designs may affect the quality and reliability of the NVIDIA product and may result in additional or different conditions and/or requirements beyond those contained in this document. NVIDIA accepts no liability related to any default, damage, costs, or problem which may be based on or attributable to: (i) the use of the NVIDIA product in any manner that is contrary to this document or (ii) customer product designs.

No license, either expressed or implied, is granted under any NVIDIA patent right, copyright, or other NVIDIA intellectual property right under this document. Information published by NVIDIA regarding third-party products or services does not constitute a license from NVIDIA to use such products or services or a warranty or endorsement thereof. Use of such information may require a license from a third party under the patents or other intellectual property rights of the third party, or a license from NVIDIA under the patents or other intellectual property rights of NVIDIA.

Reproduction of information in this document is permissible only if approved in advance by NVIDIA in writing, reproduced without alteration and in full compliance with all applicable export laws and regulations, and accompanied by all associated conditions, limitations, and notices.

THIS DOCUMENT AND ALL NVIDIA DESIGN SPECIFICATIONS, REFERENCE BOARDS, FILES, DRAWINGS, DIAGNOSTICS, LISTS, AND OTHER DOCUMENTS (TOGETHER AND SEPARATELY, "MATERIALS") ARE BEING PROVIDED "AS IS." NVIDIA MAKES NO WARRANTIES, EXPRESSED, IMPLIED, STATUTORY, OR OTHERWISE WITH RESPECT TO THE MATERIALS, AND EXPRESSLY DISCLAIMS ALL IMPLIED WARRANTIES OF NON-INFRINGEMENT, MERCHANTABILITY, AND FITNESS FOR A PARTICULAR PURPOSE. TO THE EXTENT NOT PROHIBITED BY LAW, IN NO EVENT WILL NVIDIA BE LIABLE FOR ANY DAMAGES, INCLUDING WITHOUT LIMITATION ANY DIRECT, INDIRECT, SPECIAL, INCIDENTAL, PUNITIVE, OR CONSEQUENTIAL DAMAGES, HOWEVER CAUSED AND REGARDLESS OF THE THEORY OF LIABILITY, ARISING OUT OF ANY USE OF THIS DOCUMENT, EVEN IF NVIDIA HAS BEEN ADVISED OF THE POSSIBILITY OF SUCH DAMAGES. Notwithstanding any damages that customer might incur for any reason whatsoever, NVIDIA's aggregate and cumulative liability towards customer for the products described herein shall be limited in accordance with the Terms of Sale for the product.

## Trademarks

NVIDIA, the NVIDIA logo, NVIDIA DRIVE, NVIDIA DRIVE Orin, and NVIDIA DRIVE AGX Orin, are trademarks and/or registered trademarks of NVIDIA Corporation in the U.S. and other countries. Other company and product names may be trademarks of the respective companies with which they are associated.

## VESA DisplayPort

DisplayPort and DisplayPort Compliance Logo, DisplayPort Compliance Logo for Dual-mode Sources, and DisplayPort Compliance Logo for Active Cables are trademarks owned by the Video Electronics Standards Association in the United States and other countries.

## Arm

Arm, AMBA, and ARM Powered are registered trademarks of Arm Limited. Cortex, MPCore, and Mali are trademarks of Arm Limited. All other brands or product names are the property of their respective holders. "Arm" is used to represent ARM Holdings plc; its operating company Arm Limited; and the regional subsidiaries Arm Inc.; Arm KK; Arm Korea Limited.; Arm Taiwan Limited; Arm France SAS; Arm Consulting (Shanghai) Co. Ltd.; Arm Germany GmbH; Arm Embedded Technologies Pvt. Ltd.; Arm Norway, AS, and Arm Sweden AB.

## Copyright

© 2022 NVIDIA Corporation. All rights reserved.